

MICRO SWITCH
 FREEPORT ILLINOIS U.S.A
 A DIVISION OF HONEYWELL
 FED. MFG. CODE 91929

SWITCH-ENCLOSED

CATALOG LISTING
EXD-Q-3

EXD-Q-3

M

DRAWING NUMBER

29

ISSUE

3

REPLACES

PR-8880

28 NOV 05

RJ

CHECK

AK

27 APR 05

DAW

23 APR 87

TLB

22 MAR 88

MAW

19 SEP 92

0012750

NM

09MAY05

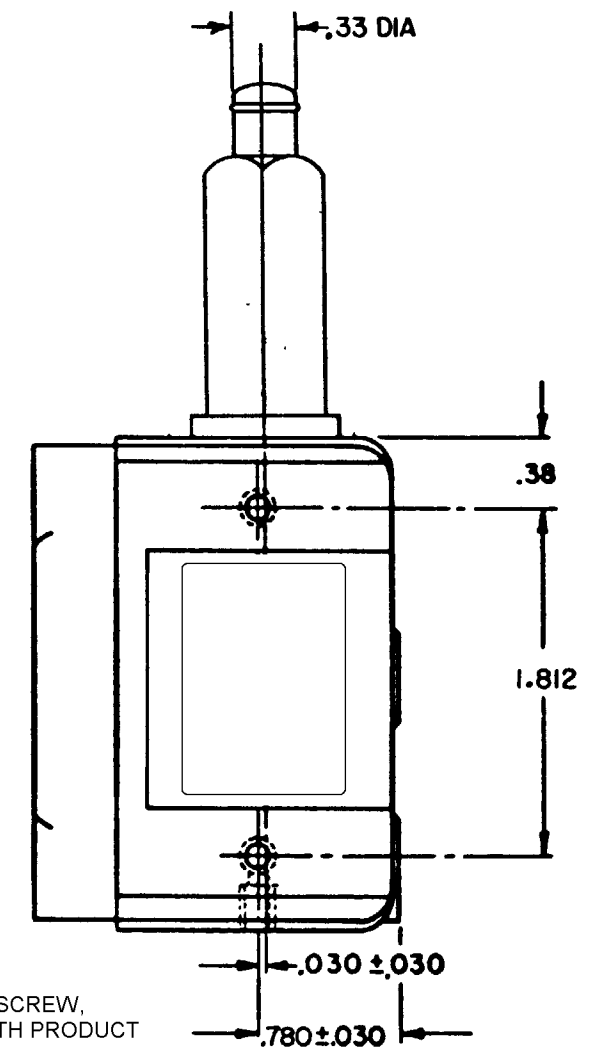
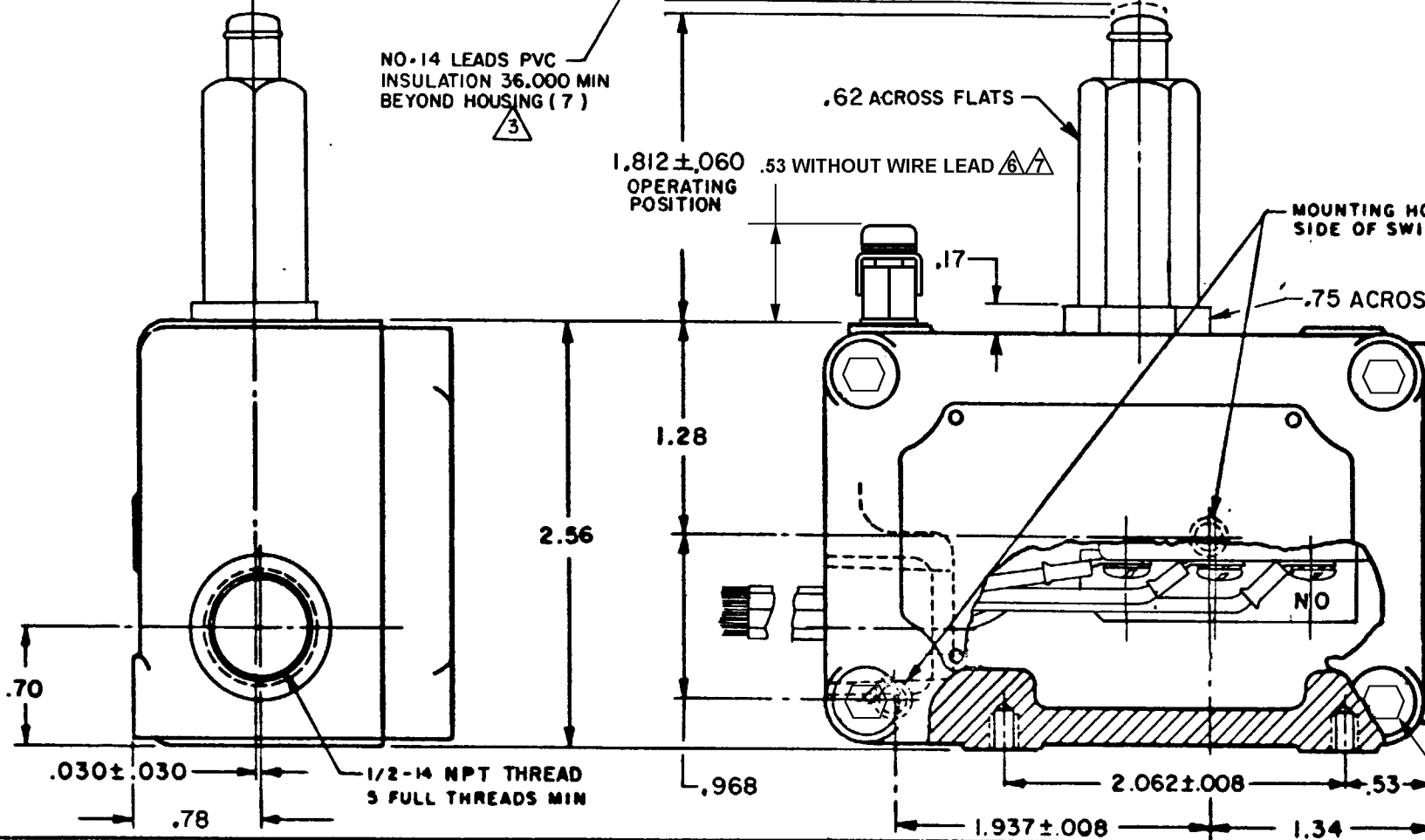
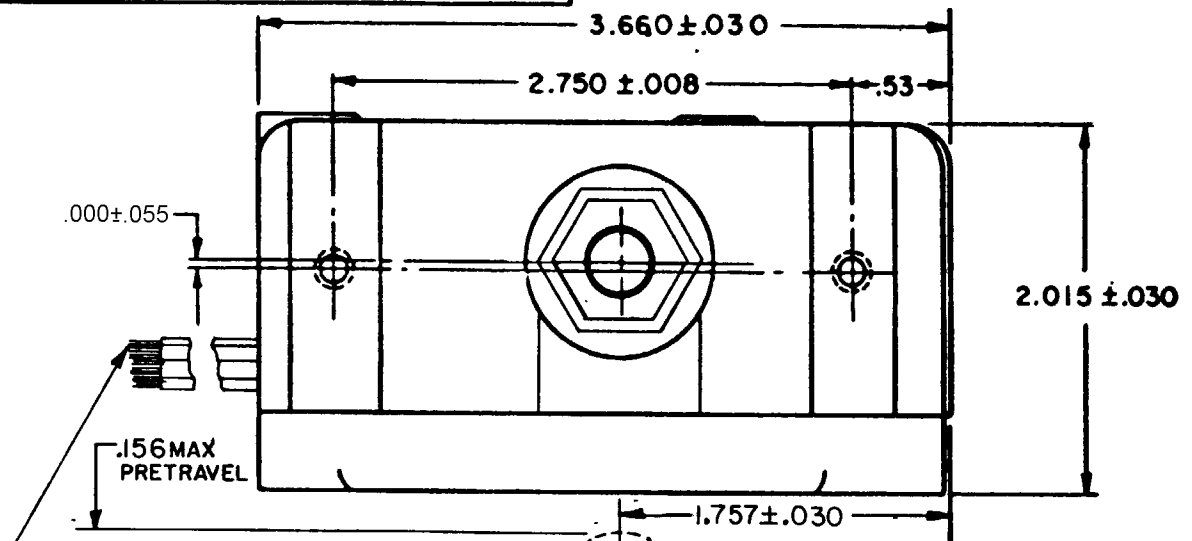
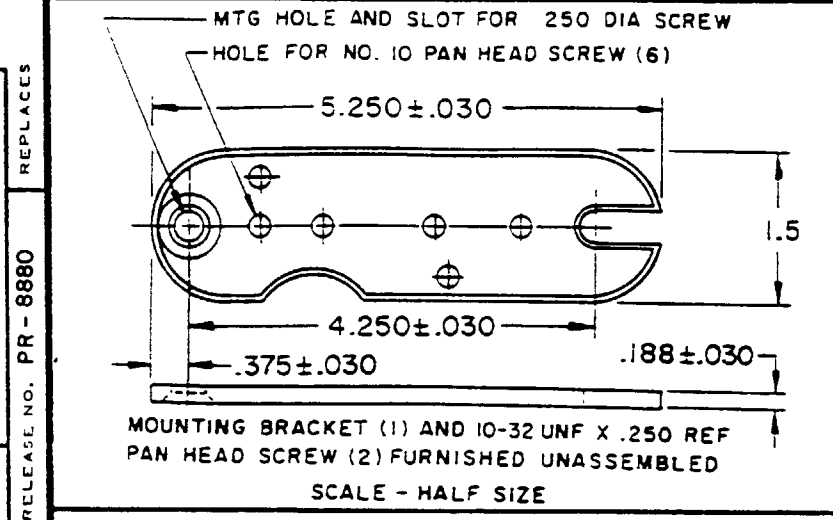
0017245

KRB

28 NOV 05

5 JUNE 80

FO-52851-A



THIS DRAWING COVERS A PROPRIETARY ITEM AND IS THE PROPERTY OF MICRO SWITCH, A DIVISION OF HONEYWELL. THIS DRAWING IS NOT TO BE COPIED OR USED WITHOUT THE APPROVAL OF MICRO SWITCH.

THIRD ANGLE PROJECTION

SCALE FULL	
DO NOT SCALE PRINT	
TOLERANCES	
APPLY TO DESIGN UNITS. CONVERSIONS ARE ONLY FOR REFERENCE. UNLESS NOTED, TOLERANCES ARE 2	
DIM.	TOL.
mm	mm/100
IN	IN
NO PLACES	1/64
ONE PLACE	0.4/018
TWO PLACES	0.15/006
THREE PLACES	0.87/00
ANGLES	0.38/015
	0.13/005
DESIGN UNITS	
SI METRIC	US CUSTOMARY
RAW MATERIAL - COMMERCIAL STANDARD	
MICRO SWITCH STANDARDS APPLY	
DIMENSIONS ARE TO BE MET BEFORE PROTECTIVE COATINGS ARE APPLIED	
WEIGHT	

- NOTES**
- 1 - MOUNTING SCREW HOLE, 10-32 UNF THREAD X .219 REF DEEP (8)
 - 2 - EXPLOSION PROOF - UNDERWRITERS' LAB. INC. LISTED FOR HAZARDOUS LOCATIONS NEMA 7, CLASS I, GROUPS B,C AND D, NEMA 9, CLASS II, GROUPS E,F AND G.
 - 3 - COM LEADS - BLACK, N.C. LEADS - RED, N.O. LEADS - BLUE, GROUND LEAD - GREEN
 - 4 - EUROPEAN HAZARDOUS LOCATIONS DESIGNATION: EEx dIIB + H2 T6 CATAGORY II 2 G
 - 5 - SEAL RATING : NEMA 1
 - 6 - EXTERNAL GROUND SCREW MAY BE ASSEMBLED TO ANY UNUSED MOUNTING SCREW HOLE
 - 7 - ASSEMBLE PROVIDED SPLIT LOCKWASHER BETWEEN GROUND LUG AND HOUSING

CHARACTERISTICS	ELECTRICAL DATA
OPERATING FORCE ----- 3 LB MAX	CONTACT ARRANGEMENT D P D T
RELEASE FORCE ----- 1/2 LB MIN	10A-125 OR 250 VAC
DIFFERENTIAL TRAVEL ----- .060 MAX	0.3A-125 VDC; 0.15A-250 VDC
OVERTRAVEL ----- .141 MIN	CODE L59
BASIC SWITCH REPLACEMENT ----- DT-2R-A7	

